

# io mabe

# BOTTOM FREEZER



PRODUCTSHEET

IWO19JSPF3WM

IWO19JSPF3WM-CWM

IWO19JSPF3WM-DWM



CHOOSE



CUSTOMIZE



COOL

# SERIES IWO19JSPF

MATT WHITE RAL 9016



standard built-in  
doors in matt white  
straight corners  
'Café' handles in stainless steel

IWO19JSPF 3WM



**HANDLES**  
'CAFE' STAINLESS STEEL



standard built-in  
doors in matt white  
straight corners  
'Café' handles in matt white

IWO19JSPF 3WM-CWM



**HANDLES**  
'CAFE' MATT WHITE



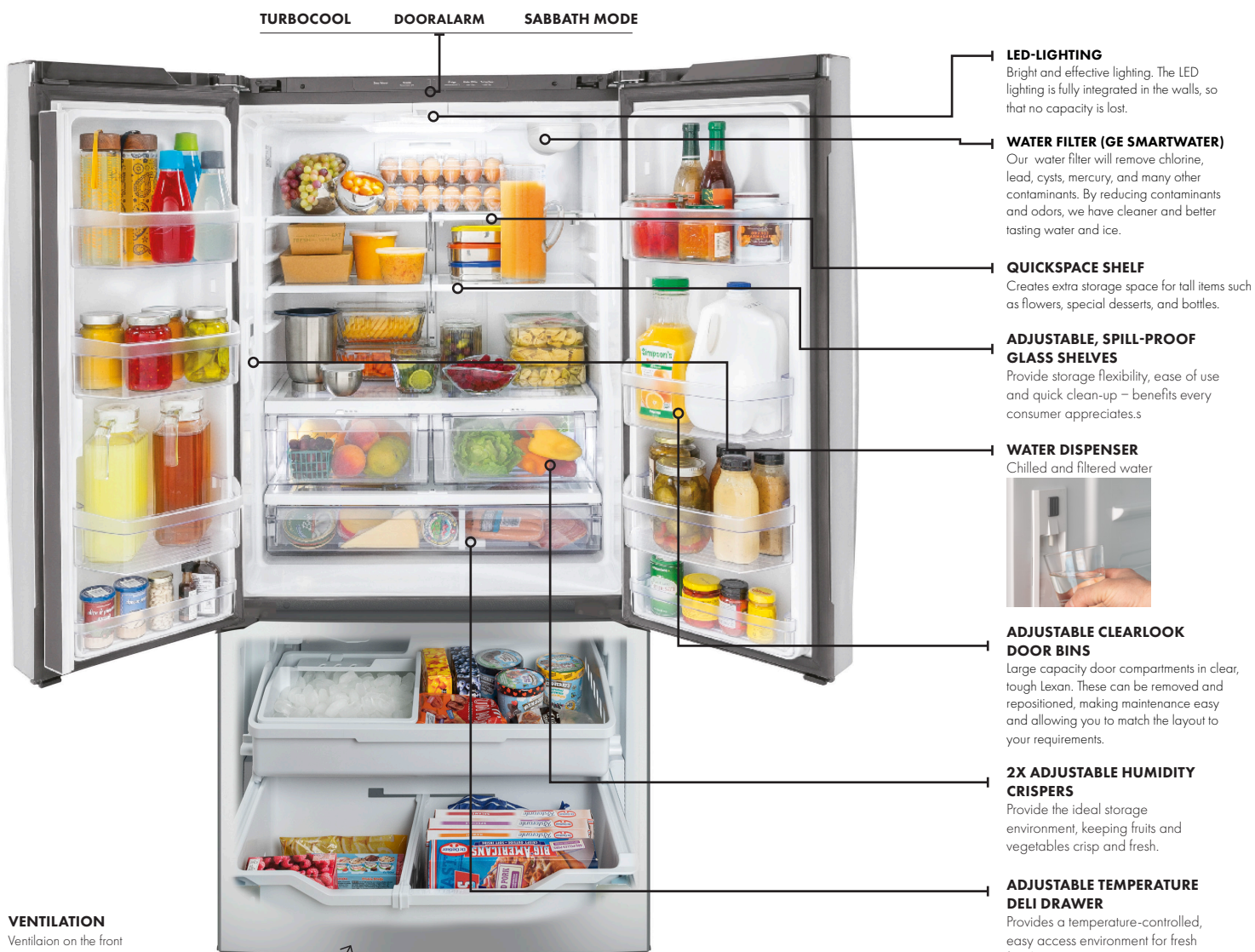
standard built-in  
doors in matt white  
straight corners  
'Design' handles in matt white

IWO19JSPF3WM-DWM



**HANDLES**  
'DESIGN' MATT WHITE





**VENTILATION**  
Ventilation on the front



FULL  
NO-FROST

WATER  
DISPENSER

ICEMAKER

# NO FROST MET FROSTGUARD- TECHNOLOGIE

No Frost ventilated cooling guarantees homogeneous temperatures which enable you to store your food better and freeze it more efficiently. The FrostGuard technology makes automatic defrosting a lot more convenient. Your refrigerator will only defrost when it is necessary on the basis of precise measurements (e.g. on the basis of the number of freezer door openings, compressor running time etc.). FrostGuard also prevents frozen food from partly defrosting during the defrost cycle by performing extra chilling as low as -30°C (pre-chill) just before defrosting and by keeping the complete defrost cycle very short. This considerably reduces the risk of freezer burn. This technology means that food can be stored longer and better, and you no longer need to defrost manually.



FULL NO-FROST

## MULTIFLOW AIR SYSTEM TECHNOLOGIE

In order to keep your food fresh for as long as possible, these technologies ensure a uniform and precise temperature in each of the refrigerator's compartments. This is achieved by fitting sensitive electronic sensors, an air tunnel across various levels and fans linked to the most advanced electronics. This considerably improves the quality and storage life of your food. The electronic controls enable you to independently monitor the refrigerator and freezer temperatures, as a result of which the temperature differences are smaller and your food will remain fresher and can be stored for longer. When you close the door of your refrigerator or freezer, it will only take a few minutes to return to the programmed temperatures



FRESH FOR  
LONGER

## ENERGYSMART

Improved features such as the electronic sensors and FrostGuard mean that iomabe refrigerators have a much better energy consumption. They save a great deal of energy compared to appliances from earlier generations. Thanks to this technology these American refrigerators perform exceptionally well in their energy class without affecting the quality of chilling, storage and freezing. The entire iomabe collection is in the energy-efficient E class.

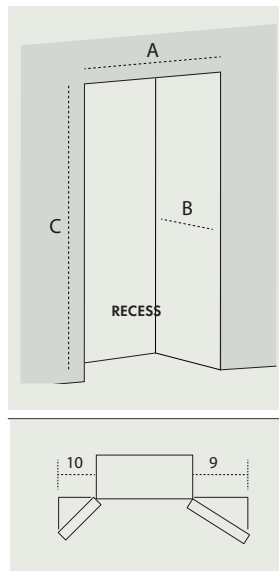
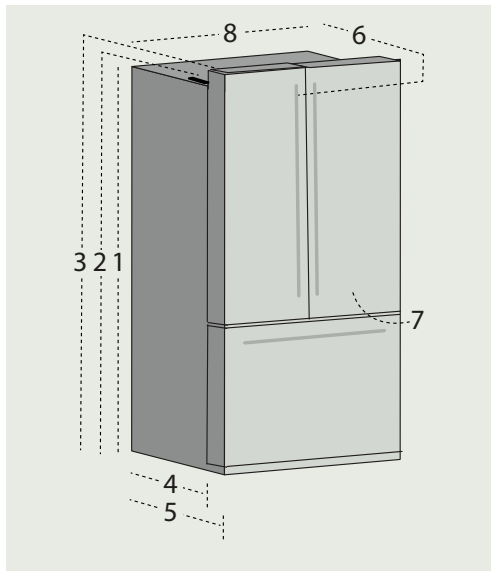


A SMART CHOICE

American performance, European design.  
Let's make your kitchen **cool** again!

# DIMENSIONS

## STANDARD BUILT-IN



Standard built-in	
Series IWO19JSPF	30 - 3RAL 3BM - 3WM
1. Height to top of case	1742
2. Height to top of hinge	1772
3. Height to top of door	1805
4. Depth of case without door	625
5. Depth without handles	734
6. Depth incl. "Cafe" handles	802
Depth incl. "Design" handles	774
7. Total depth with door open 90°	1070
8. Width	840
9. Width of open door (R)	320
10. Width of open door (L)	320
Recess dimensions	
A. Recess width	845
B. Recess depth*	632
C. Recess height	1785

## TECHNICAL SPECIFICATIONS & FUNCTIONS

FUNCTIONS	IWO19
Waterdispenser	yes (internal)
Ice-maker (automatic)	yes (internal)
Slide'n Store freezer baskets	2x
Fruit and vegetable drawer with adjustable humidity	2x
Waterfilter GE SmartWater	XWF
ClearLook door bins (adjustable)	8x (4)
Adjustable glass shelves	3x
Adjustable QuickSpace shelf	1x
Draagplateau over de gehele breedte	1x
Afgesloten delicatessenlade (temp. verstelbaar)	1x
Crisp clear LED-lighting (freezer)	yes
Crisp clear LED-lighting refrigerator)	yes
Sabbath mode	yes
Door alarm	yes
Indicator replace waterfilter	yes
TurboCool	yes
Electronic control (including the temperature settings)	yes (internal)

	BottomFreezer
Series	IWO19
Total Gross/Net (litres)	527
ISO Gross/Net refrigerator compartment (litres)	385
ISO Gross/Net freezer compartment (litres)	142
Energy consumption (kWh/a)	263
Energy class	E
Climate class	T (16°C - 43°C)
Freezer stars	****
Noise level (dB (a))	45
Type of defrosting / automatic	No Frost / ja