

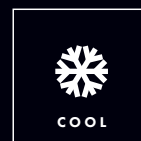
# io mabe

# BOTTOM FREEZER



## PRODUCTSHEET

ICO19JSR 3RAL  
ICO19JSR 3RAL-CRAL  
ICO19JSR 3RAL-DRAL  
ICO19JSR L 3RAL  
ICO19JSR L 3RAL-CRAL  
ICO19JSR L3RAL-DRAL



# SERIES ICO19JSPR

RAL COLOR OF CHOICE



standard built-in doors in RAL color of choice  
straight corners  
'Café' handles in stainless steel

right hand door    ICO19JSPR 3RAL  
left hand door    ICO19JSPR L 3RAL



standard built-in doors in RAL color of choice  
straight corners  
'Café' handles in RAL color of choice

right hand door    ICO19JSPR 3RAL-CRAL  
left hand door    ICO19JSPR L 3RAL-CRAL



standard built-in doors in RAL color of choice  
straight corners  
'Design' handles in RAL color of choice

right hand door    ICO19JSPR 3RAL-DRAL  
left hand door    ICO19JSPR L 3RAL-DRAL

↑  
**HANDLES**  
'CAFE' STAINLESS STEEL



↑  
**HANDLES**  
'CAFE' RAL COLOR



↑  
**HANDLES**  
'DESIGN' RAL COLOR



**\* ALSO AVAILABLE WITH LEFT HAND DOOR**

TURBOCOOL DOORALARM SABBATH MODE



**LED-LIGHTING**  
Bright and effective lighting. The LED lighting is fully integrated in the walls, so that no capacity is lost.

**WATER FILTER (GE SMARTWATER)**  
Our water filter will remove chlorine, lead, cysts, mercury, and many other contaminants. By reducing contaminants and odors, we have cleaner and better tasting water and ice.

**QUICKSPACE SHELF**  
Creates extra storage space for tall items such as flowers, special desserts, and bottles.

**ADJUSTABLE, SPILL-PROOF GLASS SHELVES**  
Provide storage flexibility, ease of use and quick clean-up – benefits every consumer appreciates.

**WATER DISPENSER**  
Chilled and filtered water



**ADJUSTABLE CLEARLOOK DOOR BINS**  
Large capacity door compartments in clear, tough Lexan. These can be removed and repositioned, making maintenance easy and allowing you to match the layout to your requirements.

**2X ADJUSTABLE HUMIDITY CRISPERS**  
Provide the ideal storage environment, keeping fruits and vegetables crisp and fresh.

**ADJUSTABLE TEMPERATURE DELI DRAWER**  
Provides a temperature-controlled, easy access environment for fresh foods.

**VENTILATION**  
Ventilation on the front



**LED-LIGHTING**  
Bright and effective lighting. The LED lighting is fully integrated in the walls, so that no capacity is lost.

**INTEGRATED ICE-MAKER**  
Ice is easy to access directly from the ice bin

**MULTI-LEVEL SLIDE N' STORE FREEZER DRAWERS**  
In the freezer compartment there are two full extension drawers for easy access to all frozen food items.

FULL  
NO-FROST

WATER  
DISPENSER

ICE  
MAKER

# NO FROST MET FROSTGUARD- TECHNOLOGIE

No Frost ventilated cooling guarantees homogeneous temperatures which enable you to store your food better and freeze it more efficiently. The FrostGuard technology makes automatic defrosting a lot more convenient. Your refrigerator will only defrost when it is necessary on the basis of precise measurements (e.g. on the basis of the number of freezer door openings, compressor running time etc.). FrostGuard also prevents frozen food from partly defrosting during the defrost cycle by performing extra chilling as low as -30°C (pre-chill) just before defrosting and by keeping the complete defrost cycle very short. This considerably reduces the risk of freezer burn. This technology means that food can be stored longer and better, and you no longer need to defrost manually.



FULL NO-FROST

## MULTIFLOW AIR SYSTEM TECHNOLOGIE

In order to keep your food fresh for as long as possible, these technologies ensure a uniform and precise temperature in each of the refrigerator's compartments. This is achieved by fitting sensitive electronic sensors, an air tunnel across various levels and fans linked to the most advanced electronics. This considerably improves the quality and storage life of your food. The electronic controls enable you to independently monitor the refrigerator and freezer temperatures, as a result of which the temperature differences are smaller and your food will remain fresher and can be stored for longer. When you close the door of your refrigerator or freezer, it will only take a few minutes to return to the programmed temperatures



FRESH FOR  
LONGER

## ENERGYSMART

Improved features such as the electronic sensors and FrostGuard mean that iomabe refrigerators have a much better energy consumption. They save a great deal of energy compared to appliances from earlier generations. Thanks to this technology these American refrigerators perform exceptionally well in their energy class without affecting the quality of chilling, storage and freezing. The entire iomabe collection is in the energy-efficient E class.

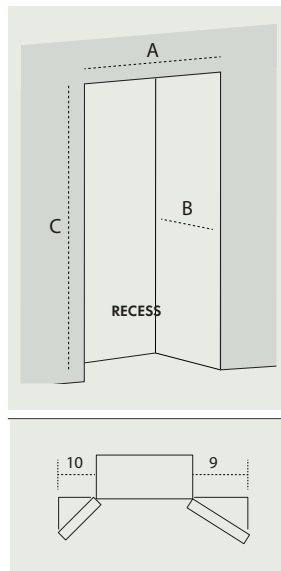
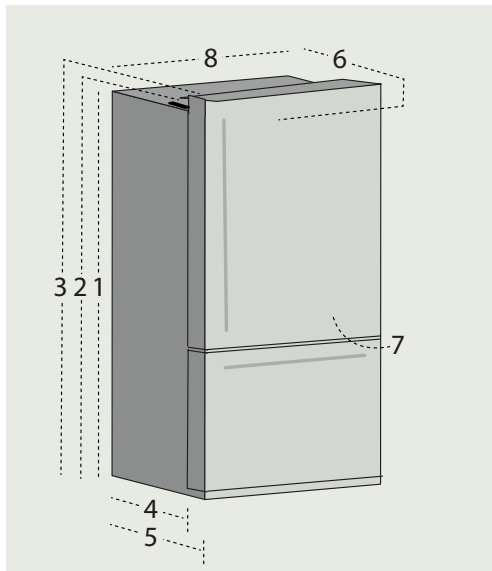


A SMART CHOICE

American performance, European design.  
Let's make your kitchen **cool** again!

# DIMENSIONS

## STANDARD BUILT-IN



Standard built-in	
Series ICO19JSPR	30 - 3RAL 3BM - 3WM
1. Height to top of case	1742
2. Height to top of hinge	1772
3. Height to top of door	1805
4. Depth of case without door	625
5. Depth without handles	734
6. Depth incl. "Cafe" handles	802
Depth incl. "Design" handles	774
7. Total depth with door open 90°	1495
8. Width	840
9. Width of open door (R)	590
10. Width of open door (L)	590
Recess dimensions	
A. Recess width	845
B. Recess depth*	632
C. Recess height	1785

## TECHNICAL SPECIFICATIONS & FUNCTIONS

FUNCTIONS	ICO19
Waterdispenser	yes (internal)
Ice-maker (automatic)	yes (internal)
Slide'n Store freezer baskets	2x
Fruit and vegetable drawer with adjustable humidity	2x
Waterfilter GE SmartWater	XWF
ClearLook door bins (adjustable)	4x (2)
Adjustable glass shelves	3x
Adjustable QuickSpace shelf	1x
Draagplateau over de gehele breedte	1x
Afgesloten delicatessenlade (temp. verstelbaar)	1x
Crisp clear LED-lighting (freezer)	yes
Crisp clear LED-lighting refrigerator)	yes
Sabbath mode	yes
Door alarm	yes
Indicator replace waterfilter	yes
TurboCool	yes
Electronic control (including the temperature settings)	yes (internal)

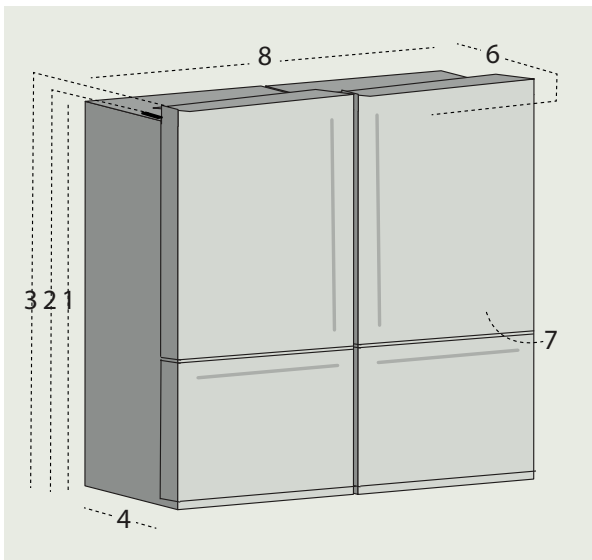
	BottomFreezer
Series	ICO19
Total Gross/Net (litres)	530
ISO Gross/Net refrigerator compartment (litres)	388
ISO Gross/Net freezer compartment (litres)	142
Energy consumption (kWh/a)	263
Energy class	E
Climate class	T (16°C - 43°C)
Freezer stars	****
Noise level (dB (a))	45
Type of defrosting / automatic	No Frost / ja

# TWIN CONFIGURATION CK-ICO19 "CONNECTION KIT"



Two Bottom-Freezer connected with a special connection kit CK-ICO19  
Suitable for standard built-in and US style models.

## "TWIN" CONFIGURATION



Standard built-in	
Series 2x ICO19JSR With CK-19 CONNECTION KIT	30 - 3RAL 38M - 3WM
1. Height to top of case	1742
2. Height to top of hinge	1772
3. Height to top of door	1805
4. Depth of case without door	625
5. Depth without handles	734
6. Depth incl. "Cafe" handles	802
Depth incl. "Design" handles	774
7. Total depth with door open 90°	1495
8. Width	1690
9. Width of open door (R)	590
10. Width of open door (L)	590
Recess dimensions	
A. Recess width	1696
B. Recess depth*	632
C. Recess height	1785