

io mabe

BOTTOM FREEZER



PRODUCTSHEET

ICO19JSR 3BM
ICO19JSR 3BM-CBM
ICO19JSR 3BM-DBM
ICO19JSR L 3BM
ICO19JSR L 3BM-CBM
ICO19JSR L3BM-DBM



CHOOSE



CUSTOMIZE



COOL

SERIES ICO19JSPR

BLACK MATT RAL 9005



standard built-in doors in matt black
straight corners
'Café' handles in stainless steel

right hand door ICO19JSPR 3BM
left hand door ICO19JSPR L 3BM



standard built-in doors in matt black
straight corners
'Café' handles in matt black

right hand door ICO19JSPR 3BM-CBM
left hand door ICO19JSPR L 3BM-CBM



standard built-in doors in matt black
straight corners
'Design' handles in matt black

right hand door ICO19JSPR 3BM-DBM
left hand door ICO19JSPR L 3BM-DBM

↑
HANDLES
'CAFE' STAINLESS STEEL



↑
HANDLES
'CAFE' MATT BLACK



↑
HANDLES
'DESIGN' MATT BLACK



*** ALSO AVAILABLE WITH LEFT HAND DOOR**



VENTILATION
Ventilation on the front



FULL
NO-FROST

WATER
DISPENSER

ICEMAKER

NO FROST MET FROSTGUARD- TECHNOLOGIE

No Frost ventilated cooling guarantees homogeneous temperatures which enable you to store your food better and freeze it more efficiently. The FrostGuard technology makes automatic defrosting a lot more convenient. Your refrigerator will only defrost when it is necessary on the basis of precise measurements (e.g. on the basis of the number of freezer door openings, compressor running time etc.). FrostGuard also prevents frozen food from partly defrosting during the defrost cycle by performing extra chilling as low as -30°C (pre-chill) just before defrosting and by keeping the complete defrost cycle very short. This considerably reduces the risk of freezer burn. This technology means that food can be stored longer and better, and you no longer need to defrost manually.



FULL NO-FROST

MULTIFLOW AIR SYSTEM TECHNOLOGIE

In order to keep your food fresh for as long as possible, these technologies ensure a uniform and precise temperature in each of the refrigerator's compartments. This is achieved by fitting sensitive electronic sensors, an air tunnel across various levels and fans linked to the most advanced electronics. This considerably improves the quality and storage life of your food. The electronic controls enable you to independently monitor the refrigerator and freezer temperatures, as a result of which the temperature differences are smaller and your food will remain fresher and can be stored for longer. When you close the door of your refrigerator or freezer, it will only take a few minutes to return to the programmed temperatures



FRESH FOR
LONGER

ENERGYSMART

Improved features such as the electronic sensors and FrostGuard mean that iomabe refrigerators have a much better energy consumption. They save a great deal of energy compared to appliances from earlier generations. Thanks to this technology these American refrigerators perform exceptionally well in their energy class without affecting the quality of chilling, storage and freezing. The entire iomabe collection is in the energy-efficient E class.

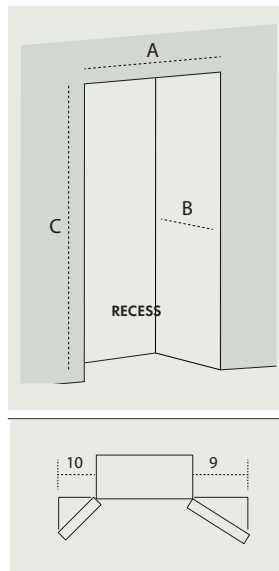
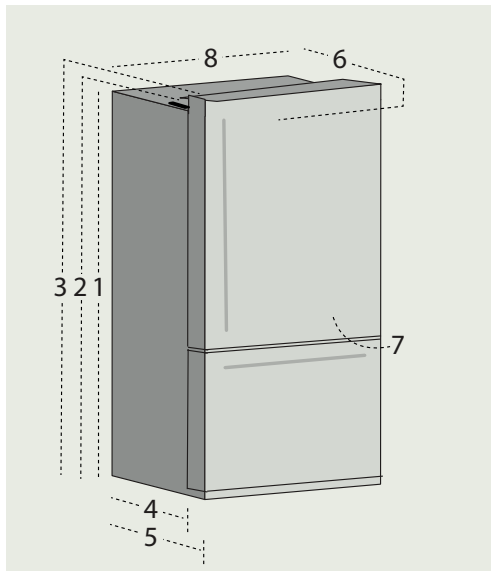


A SMART CHOICE

American performance, European design.
Let's make your kitchen **cool** again!

DIMENSIONS

STANDARD BUILT-IN



Standard built-in	
Series ICO19JSPR	30 - 3RAL 3BM - 3WM
1. Height to top of case	1742
2. Height to top of hinge	1772
3. Height to top of door	1805
4. Depth of case without door	625
5. Depth without handles	734
6. Depth incl. "Cafe" handles	802
Depth incl. "Design" handles	774
7. Total depth with door open 90°	1495
8. Width	840
9. Width of open door (R)	590
10. Width of open door (L)	590
Recess dimensions	
A. Recess width	845
B. Recess depth*	632
C. Recess height	1785

TECHNICAL SPECIFICATIONS & FUNCTIONS

FUNCTIONS	ICO19
Waterdispenser	yes (internal)
Ice-maker (automatic)	yes (internal)
Slide'n Store freezer baskets	2x
Fruit and vegetable drawer with adjustable humidity	2x
Waterfilter GE SmartWater	XWF
ClearLook door bins (adjustable)	4x (2)
Adjustable glass shelves	3x
Adjustable QuickSpace shelf	1x
Draagplateau over de gehele breedte	1x
Afgesloten delicatessenlade (temp. verstelbaar)	1x
Crisp clear LED-lighting (freezer)	yes
Crisp clear LED-lighting refrigerator)	yes
Sabbath mode	yes
Door alarm	yes
Indicator replace waterfilter	yes
TurboCool	yes
Electronic control (including the temperature settings)	yes (internal)

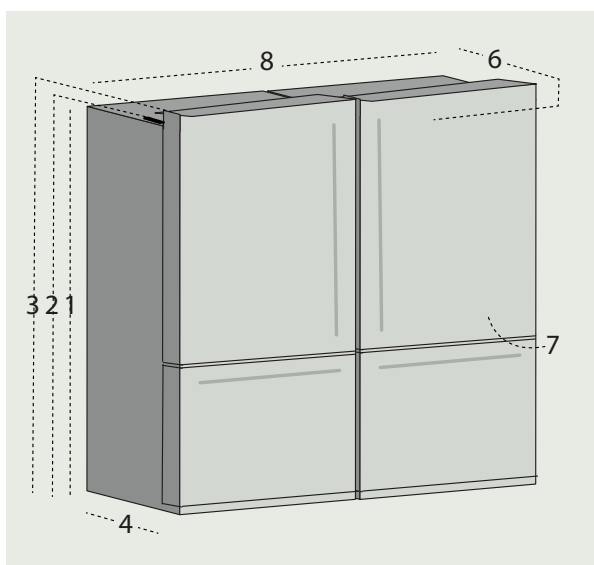
	BottomFreezer
Series	ICO19
Total Gross/Net (litres)	530
ISO Gross/Net refrigerator compartment (litres)	388
ISO Gross/Net freezer compartment (litres)	142
Energy consumption (kWh/a)	263
Energy class	E
Climate class	T (16°C - 43°C)
Freezer stars	****
Noise level (dB (a))	45
Type of defrosting / automatic	No Frost / ja

TWIN CONFIGURATION CK-ICO19 "CONNECTION KIT"



Two Bottom-Freezer connected with a special connection kit CK-ICO19
Suitable for standard built-in and US style models.

"TWIN" CONFIGURATION



Standard built-in	
Series 2x ICO19JSPR With CK-19 CONNECTION KIT	30 - 3RAL 38M - 3WM
1. Height to top of case	1742
2. Height to top of hinge	1772
3. Height to top of door	1805
4. Depth of case without door	625
5. Depth without handles	734
6. Depth incl. "Cafe" handles	802
Depth incl. "Design" handles	774
7. Total depth with door open 90°	1495
8. Width	1690
9. Width of open door (R)	590
10. Width of open door (L)	590
Recess dimensions	
A. Recess width	1696
B. Recess depth*	632
C. Recess height	1785